



OWNER'S MANUAL

REARVISION

10.1 INCH WSVGA MONITOR RSA10S-R-SE

For safety use

- Read this instruction manual carefully before use. Please keep this manual at hand even after reading it. Our company will not be liable for any failure or damage due to non-compliance of the instructions in the manual.
- For safe and proper use of this product, this manual uses various images and marks to prevent damage or injury to people or properties. The images and their meanings are as follows. Please read this manual to understand the meaning of these images and marks.



WARNING

Handling the product improperly by ignoring this display results in a warning indication and possibility of death or heavy injury.

DO NOT DISASSEMBLE OR ALTER.
Doing so may result in an accident, fire or electric shock.



PROHIBITION

KEEP SMALL OBJECTS SUCH AS BATTERIES AND SCREWS OUT OF THE REACH OF CHILDREN. Swallowing them may result in serious injury. If swallowed, consult a physician immediately.



USE THE CORRECT AMPERE RATING WHEN REPLACING FUSES.
Failure to do so may result in fire or electric shock.



PROHIBITION



REGULATION

USE THE CORRECT AMPERE RATING WHEN REPLACING FUSES.
Failure to do so may result in fire or electric shock.



REGULATION

USE ONLY IN CARS WITH A 12 VOLT NEGATIVE GROUND.
(Check with your dealer if you are not sure.)
Failure to do so may result in fire, etc.



BEFORE WIRING, DISCONNECT THE CABLE FROM THE NEGATIVE BATTERY TERMINAL.
Failure to do so may result in electric shock or injury due to electrical shorts.



PROHIBITION

DO NOT SPLICE INTO ELECTRICAL CABLES.
Never cut away cable insulation to supply power to other equipment. Doing so will exceed the current carrying capacity of the wire and result in fire or electric shock.



PROHIBITION

DO NOT INSTALL IN LOCATIONS WHICH MIGHT HINDER VEHICLE OPERATION, SUCH AS THE STEERING WHEEL OR GEARSHIFT.
Doing so may obstruct forward vision or hamper movement etc. and results in serious accident.



PROHIBITION

DO NOT USE BOLTS OR NUTS IN THE BRAKE OR STEERING SYSTEMS TO MAKE GROUND CONNECTIONS.

Bolts or nuts used for the brake or steering systems (or any other safety-related system), or tanks should NEVER be used for installations or ground connections. Using such parts could disable control of the vehicle and cause fire etc.



PROHIBITION



REGULATION

HALT USE IMMEDIATELY IF AN IMAGE IS NOT DISPLAYED, OR IF IT SMELLS STRANGE.

Return it to your authorized Alpine dealer or the nearest Alpine Service Center



PROHIBITION

DO NOT OPERATE ANY FUNCTION THAT TAKES YOUR ATTENTION AWAY FROM SAFELY DRIVING YOUR VEHICLE.

Any function that requires your prolonged attention should only be performed after coming to a complete stop. Always stop the vehicle in a safe location before performing these functions. Failure to do so may result in an accident.



BUNDLE CORDS SO THAT THEY MAY NOT HINDER THE OPERATION.

If cords wind around the steering wheel, gearshift or brake pedal, it may cause an accident or failure.



PROHIBITION



REGULATION

MAKE SURE TO WEAR A SEAT BELT WHEN RIDING IN THE REAR SEAT TO PREVENT AN ACCIDENT FROM SUDDEN ACCELERATION OR SUDDEN STOP, ETC.

Failure to do so may cause an accident or an injury.



PROHIBITION



CAUTION

Incorrect handling of the product by ignoring this cause physical damage to people or property.

MAKE THE CORRECT CONNECTIONS.
Failure to make the proper connections may result in fire or product damage.



PROHIBITION

ARRANGE THE WIRING SO IT IS NOT CRIMPED OR PINCHED BY A SHARP METAL EDGE.

Route the cables and wiring away from moving parts (like the seat rails) or sharp or pointed edges. This will prevent crimping and damage to the wiring. If wiring passes through a hole in metal, use a rubber grommet to prevent the wire's insulation from being cut by the metal edge of the hole.



DO NOT BLOCK VENTS OR RADIATOR PANELS.

Doing so may cause heat to build up inside and may result in fire.



PROHIBITION

USE SPECIFIED ACCESSORY PARTS AND INSTALL THEM SECURELY.

Be sure to use only the specified accessory parts. Use of other than designated parts may damage this unit internally or may not securely install the unit in place. This may cause parts to become loose resulting in hazards or product failure.



PROHIBITION

DO NOT INSTALL IN LOCATIONS WITH HIGH MOISTURE OR DUST.

Avoid installing the unit in locations with high incidence of moisture or dust. Moisture or dust that penetrates into this unit may result in product failure.



PROHIBITION

DO NOT USE BATTERIES OTHER THAN INSTRUCTED AND DO NOT MAKE A MISTAKE IN SELECTING THE POLARITY.

It may cause explosion, liquid leakage, a fire or an injury.

**HAVE THE WIRING AND INSTALLATION DONE BY EXPERTS.**

The wiring and installation of this unit requires special technical skill and experience. To ensure safety, always contact the dealer where you purchased this product to have the work done.

**USE THIS PRODUCT FOR MOBILE 12V APPLICATIONS.**

Use for other than its designed application may result in fire, electric shock or other injury.



PROHIBITION

DO NOT INSERT A FINGER OR A FOREIGN ARTICLE IN THE GAP OF THE MOVABLE DISPLAY.

It may cause an injury or failure.



PROHIBITION

Precautions in handling (common)**Do not use a mobile phone or transceiver near this machine.**

It may cause a noise or malfunction. We recommend using a mobile phone or transceiver at a place away from this machine. In addition, remote control starter or car security may cause malfunction.

Do not apply strong force.

The product was precisely assembled by using fine parts. We suggest that you handle it gently and properly to maintain initial performance.

Use this machine in Japan.

You can use this machine only in Japan. The product cannot be used outside Japan.

Do not use it in a place of extreme temperatures.

Do not use this product when the temperature inside the vehicle is extremely high (parking under blazing sun) or extremely low (parking during severe winter). Use it after the temperature goes back to normal.

Care for monitor

- Wipe the monitor off with a soft cloth when it gets dirty.
- When there is a lot of dirt, soak a soft cloth in neutral detergent diluted with water and after squeezing the cloth, wipe off the dirt.
- Do not pour "water" or "neutral detergent" directly on the monitor. Liquid may enter the monitor, which may lead to "smearing" or "failure."
- Do not wipe the surface of monitor or rub it with a solid article as it is easily damaged.
- Do not use benzine, alcohol or thinner. It may cause the change of color or deformation.

Fuse exchange When exchanging a fuse, use the ampere rating indicated in the fuse holder.

When a fuse is blown, check carefully if there are any shorts in each electrical connection. Also check if the voltage of the vehicle is normal.

Table of contents



For safety use

Warning	2
Caution	2
Precautions in handling (common)	3



Basic operation

Overhead Monitor.....	5
Remote control	6
Turning the power ON/OFF	6
Monitor.....	6
Remote control	6
Operating the room lamp	7
Turning the lamp ON/OFF.....	7



Setting

Monitor Setting	8
Visual Equalizer Setting.....	8
Picture Setting.....	9
Screen Mode Setting.....	10
RSE Link Setting.....	11
Dimmer Setting	12
Rest Mode Setting	12
System Setting.....	13

Operating by remote control

Operating RearVision	14
Operating AV function of Alpine Navigation System.....	15



Installation and Connections

Getting started	16
Accessories.....	16
Installation using mounting bracket (optional)	17
Fixation of the mounting bracket (optional)	17
Attachment of silicon spacer	17
Installation of the monitor.....	18

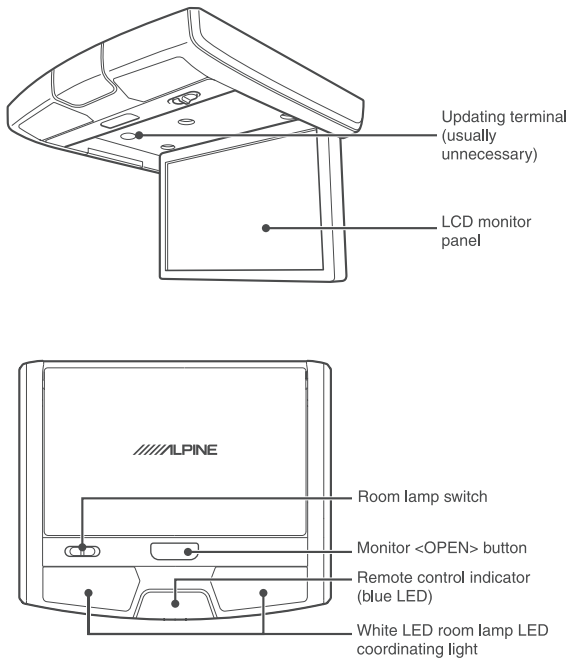
Installation of the room lamp	19
Basic connection diagram	20
Example of System Up	21

Other

If you think that There is a malfunction?	22
Remote control's battery replacement	22
Standard.....	23

 **Basic operation**

Overhead Monitor



● **LCD monitor panel**

The panel used for this system is an LED-backlit 10.1-inch active-matrix wide SVGA color liquid crystal display.

● **Power button Press to turn the monitor on or off.**

You can turn the monitor on or off while the LCD monitor panel is open.

■ : Memo

- When the engine is turned on, the power state of the system will be in the same state as that when the engine was turned off last time.

● **Monitor <OPEN> button**

Press to open the monitor. When pressing the Monitor <OPEN> button, the panel will go down a little.

Then, open the panel by hand to set it at an appropriate angle. The monitor can be opened up to 175 degrees. To close the monitor, push the monitor by hand until it closes with a click.

● **LED room lamp**

The room lamp incorporated into this system.

■ : Memo

- The connection part of the LED room lamp has polarity (for details including the connection method, refer to page 19.)

● **LED coordinating light**

The LED light to coordinate the interior of the vehicle. It can be operated while the engine is on. Use the remote control for the settings.

(For details, refer to page 11.)

● **Room lamp switch**

Use this switch to select the position of the room lamp between ON, OFF, and DOOR.

■ : Memo

- The room lamp can be turned on with the remote control. For details, refer to "Operating the room lamp" on page 7.

● **Remote control indicator**

The LED will be lit when receiving the signal from the remote control.

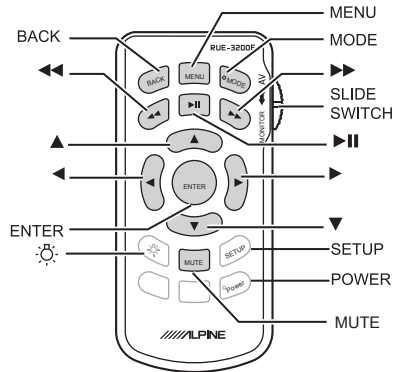
■ : Memo

- Although the indicator may be lit when using a remote control other than Alpine's, the remote control operations will not work.



Basic operation

Remote control




- Power : Turns on or off the power
- Setup : Displays the setting screen
- ▲/▼/◀/▶ : Selects/adjusts the setting items.
- Enter : Saves the setting contents.
- Menu* : Displays the menu screen.
- Mode* : Switches the mode.
- Back* : Displays the previous item.
- ▶▶* : Plays/pauses the DVD etc.
- Slide switch : Switches the operation mode of the remote control between Monitor and AV.
- ◀◀* : Rewinds the DVD etc.
- ▶▶* : Fast forwards the DVD etc.
- ☀ : Turns on the white LED room lamp for a specific time.
- Mute* : Mutes the sound.

- : Memo
- For details of each operation, refer to "Operating with the remote control" on pages 14 to 15.
- Items marked with * can be used to operate the AV functions of Alpine Navigation Systems. These items cannot be used to operate the navigation functions. For supported Alpine Navigation model, please contact to Alpine dealer.

Turning the power ON/OFF

Monitor

1. The power will automatically be turned on when pressing the Monitor <OPEN> button to open the panel.
The power will automatically be turned off when closing the panel.
2. You can turn the power on or off by pressing the Power button  while the panel is open.

Remote control

1. Press the Power button to turn on the power.
2. Press the Power button again to turn off the power.

- : Memo
- When the monitor starts, the opening logo will be displayed (for five seconds).
- When the engine is turned off, this system will also be turned off.
- If an image has been displayed for a long time, such image may remain when displaying other images.
- A remnant of the previous display image may temporarily remain on the screen after the system is turned off. This effect is inherent in liquid crystal technology, and it is a common phenomenon.
- If the temperature is especially low, the contrast of the screen may be decreased temporarily. The contrast of the screen will return to the previous state after warming up the system for a short time while keeping the power on.

Operating the room lamp


The room lamp can be turned on with the remote control. This function is used while the room lamp switch is set to "DOOR."

Turning the lamp ON/OFF

1. Press on the remote control.

The room lamp will turn on. The room lamp will automatically turn off after having been lit for a specific time. The lighting time can be selected from the system settings. For details, refer to "LED light auto off time" on page 12.

■ Memo

- In the following cases, the room lamp cannot be operated with the remote control.
 - When the engine is switched off
 - When the room lamp switch is set to "DOOR" and the door is open
 - When the power of the room lamp is not connected
- If the engine is switched off while the room lamp is on, the room lamp will turn off after having been lit for the time specified by the "LED light auto off time."
- If you press "" on the remote control while the room lamp switch is set to other than "DOOR" and then change the position of the room lamp switch to "DOOR" within the time specified as mentioned above, the room lamp will turn off after having been lit for the specific time.
- If the door remains open for more than one hour while the engine is off and the room lamp switch is set to "DOOR," the room lamp will automatically turn off by the protection function.

Setting

Setting

Monitor Setting

- 1 Press Setup on the remote control.
The item selection screen appears.
- 2 Press ▲ / ▼ to select "Picture" then press ► to display each setting screen.



Picture Setting :

The picture brightness or contrast can be adjusted. (⇒ page 8 - 9)

Screen Setting :

Switch the display mode of the screen to Full, Wide1, Wide2 or Normal. (⇒ page 10)

RSE Link Setting :

The illumination color can be adjusted. (⇒ page 11)

Dimmer Setting :

The brightness of the back light (LED) incorporated in the liquid crystal panel can be changed to make it easier to view the screen. (⇒ page 12)

Rest Mode Setting :

Execute setting to automatically turn off the screen light according to the set time. (⇒ page 12)

System Setting

The source name displayed on the screen or the display of the opening logo can be adjusted. (⇒ page 13)

■ :Memo

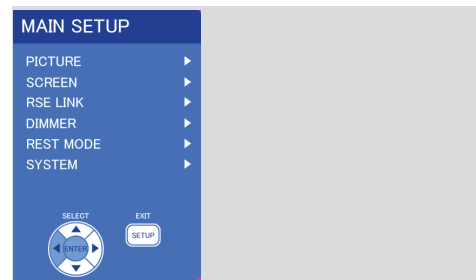
- During display, setting is switched each time ◀ / ▶ is pressed.

- 3 Press Setup to finish the adjustment.
Setting contents are automatically saved.

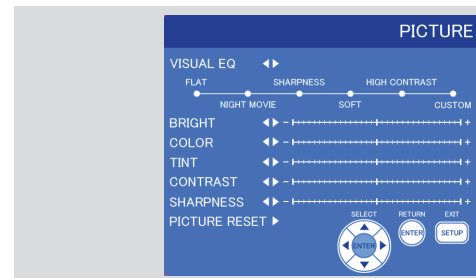
Visual Equalizer Setting

The optimal mode for the target picture can be selected.

- 1 Press Setup on the remote control.
The item selection screen appears.
- 2 Press ▲ / ▼ to select "Picture" and press ►.



- 3 Select "Visual EQ" and press ◀ / ▶ to change the visual equalizer mode.



- Flat : Normal Setting
- Night movie : Suitable for movies mainly consisting of dark scenes
- Sharpness : Suitable for old movies with images that are not sharp
- Soft : Suitable for CG or animated movies
- High Contrast : Suitable for recent movies

■ :Memo

- During display, setting is switched each time ◀ / ▶ is pressed.

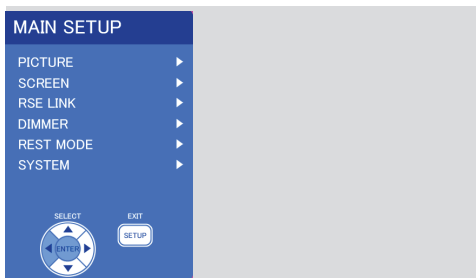
- 4 Press Setup to finish the adjustment.
Setting contents are automatically saved.

Picture Setting

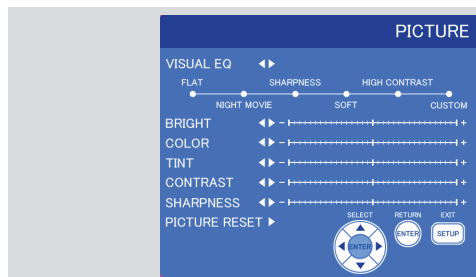
The brightness or contrast of the screen can be adjusted.

- 1 Press **Setup** on the remote control.
The item selection screen appears.

- 2 Press **▲ / ▼** to select “Picture” and press **▶**.



- 3 Press **▲ / ▼** to select a setting item to be adjusted, and press **◀ / ▶** to adjust it.



- 4 Press **Setup** to finish the adjustment.
The adjusted contents are automatically saved.

- Memo
 - Failure to set within 20 seconds closes the image setting screen automatically. The adjusted contents before closing are automatically saved.

Bright:

Adjust the screen brightness.

Setting Contents : -16 - + 16
(default setting: Flat 0)

Color:

Adjust the color strength of the screen.

Setting Contents : -16 - + 16
(default setting: Flat 0)

Tint:

Adjust the color tint of the screen.

Setting Contents : -16 - + 16
(default setting: Flat 0)

Contrast:

Adjust the contrast of the screen.

Setting Contents : -16 - + 16
(default setting : Flat 0)

Sharpness:

Adjust the sharpness of the screen.

Setting Contents : -16 - + 16
(default setting: Flat 0)

Picture Reset:

Press **▶** to return to the initial value.

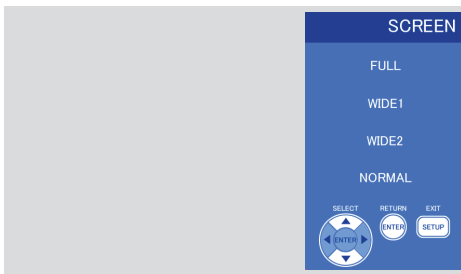
- Memo
 - When finishing the setting screen without pressing **▶**, the set value of the image is not reset.

Screen Setting

The display mode of the screen can be set to Full, Wide1, Wide2 or Normal.

- Memo
 - The display mode of the screen is independently set and stored for Input1 and Input2, respectively.

- 1 Press **Setup** on the remote control.
The item selection screen appears.
- 2 Press **▲ / ▼** to select “Screen” and press **▶**.
- 3 Press **▲ / ▼** to change the screen mode.



Full (initial setting) : The image source such as DVD or TV image is displayed in full screen.



Wide1 : Optimize the 16:9 image for display.



Wide2 : Optimize the letter box size image for display.



Normal : Display in Normal Size (4:3).



- 4 Press **Setup** to finish setting.
Set contents are automatically saved.

- Memo
 - Failure to set within 20 seconds closes the screen mode setting screen automatically. The set contents before closing are automatically saved.

RSE Link Setting

Coordinate Color:

Set the color of LED coordinate lights (all 7 colors).

Setting Contents : White, Blue (initial setting),
Green, Amber, Red, Purple
Sky Blue, OFF

■ Memo

- When it is bright, like in the daytime, or when the room lamps are on, it is sometimes hard to find the LED coordinate light.

1 Press Setup on the remote control.

The item selection screen appears.

2 Press ▲ / ▼ to select “ RSE LINK ” and press ►.

3 Press ▲ / ▼ to select a setting item to be adjusted, and press ◀ / ▶ to adjust it.



4 Press Setup to finish setting.

Set contents are automatically saved.

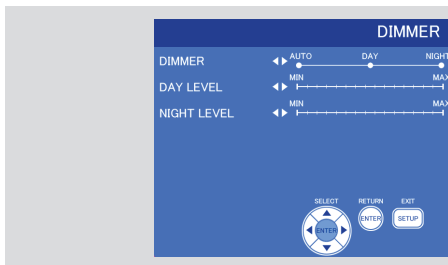
■ Memo

- Failure to set within 20 seconds closes the screen mode setting screen automatically. The set contents before closing are automatically saved.

Dimmer Setting

The brightness of the back light (LED) incorporated in the liquid crystal panel can be changed to make it easier to view the screen.

- 1 Press Setup on the remote control.
The item selection screen appears.
- 2 Press ▲ / ▼ to select the “ Dimmer ” and press ►.
- 3 Press ▲ / ▼ to select a set item, Press ◀ / ▶ to adjust.



Dimmer Setting :

- Auto** : Automatically adjust the brightness of the screen in accordance with the brightness in the car. (Initial setting)
- Day** : The screen brightness is changed to DAY LEVEL (page 12).
- Night** : The screen brightness is changed to NIGHT LEVEL (page 12).

■ : Memo

- When the setting is ON, a logo may be displayed for a moment during the playback of a DVD depending on the used DVD player.
- The opening screen is also changed to the set color. When “OFF” is selected, the opening screen turns blue.

Day Level :

The “ DAY LEVEL ” can be adjusted.

Setting Contents : 16 - 31

Night Level:

The “ NIGHT LEVEL ” can be adjusted.

Setting Contents : 0 - 15

4 Press Setup to finish setting.

Set contents are automatically saved.

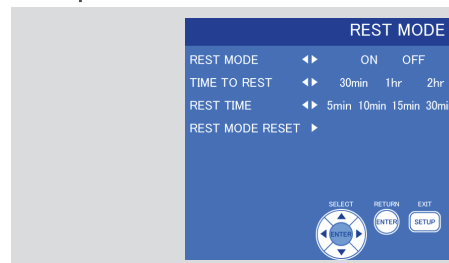
■ : Memo

- Failure to set within 20 seconds closes the screen mode setting screen automatically. The set contents before closing are automatically saved.

Rest Mode Setting

Automatically turn off the screen light according to set time.

- 1 Press Setup on the remote control.
The item selection screen appears.
- 2 Press ▲ / ▼ to select the rest mode and press ►.
- 3 Press ▲ / ▼ to select a set item, and press ◀ / ▶ to select.



Rest Mode:

- ON** : The monitor is automatically turned off after the set time passed.
- OFF** : It is not automatically turned off. (Initial setting)

Time to reset:

One of 30 minutes / 1 hour / 2 hours can be selected. (Initial Setting is 30 minutes)

Rest Time:

Set the time from the rest mode to the return. One of 5 minutes / 10 minutes / 15 minutes / 30 minutes can be selected. (Initial Setting is 5 minutes)

Rest Mode Reset:

Return the rest mode setting to the initial setting.

■ : Memo

- Rest mode can be canceled when the power button on the remote control/system is pressed when in rest mode.
- When the vehicle engine is turned OFF/ON in the rest mode, the rest mode is canceled.

4 Press Setup to finish setting.

Set contents are automatically saved.

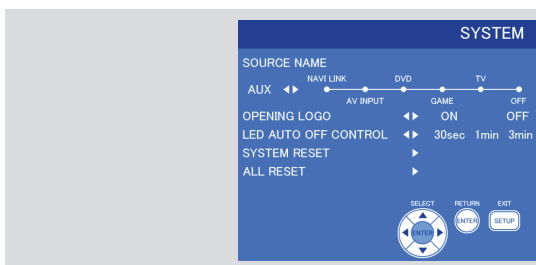
■ : Memo

- Failure to set within 20 seconds closes the screen mode setting screen automatically. The set contents before closing are automatically saved.

System Setting

The source name displayed on the screen or the display of the opening logo can be adjusted.

- 1 Press **Setup** on the remote control.
The item selection screen appears.
- 2 Press **▲ / ▼** to select system setting, and press **▶**.
- 3 Press **▲ / ▼** to select a set item, and press **◀ / ▶** to select.



Source Name:

The source name displayed on the screen is set according to the product connected with RearVision AUX.

Setting Contents : NAVI LINK / AV INPUT / DVD / GAME / TV / OFF

Opening Logo :

Whether the "ALPINE" logo is displayed when starting can be set.

Setting Contents : ON (initial setting) / OFF

LED Auto Off Control:

The time until the room lamp is automatically turned off can be selected when it is turned on by "ⓘ" on the remote control.

- 30 seconds: Automatically turned off in 30 seconds.
- 1 minute: Automatically turned off in 1 minute.
- 3 minute: Automatically turned off in 3 minute.

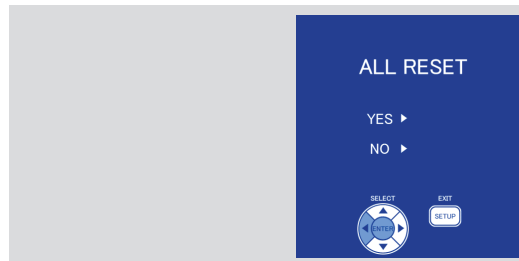
System Reset:

Reset set items on the system setting screen to return to the initial setting.

All Reset:

Return all the settings and adjusted values to the factory default ones.

Choose **Yes** or **No** by pressing **▲ / ▼** and press **▶** to select your choice



- Yes : All the settings and adjusted values Return to the factory default ones.
- No : Return to the previous screen.

■ : Memo

- Failure to set within 20 seconds closes the screen mode setting screen automatically. The set contents before closing are automatically saved.

4 Press Setup to finish setting.

Set contents are automatically saved.

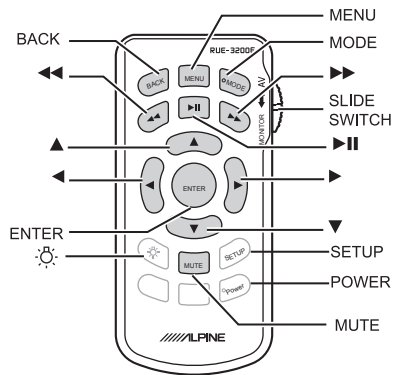
Operating by remote control

Operating by remote control

Operating RearVision

■ Memo

- When operating RearVision, switch the slide switch to "Monitor".



Slide switch	Shift monitor/AV (Shifts to monitor side)
Power	Power ON/OFF of RearVision
Setup	Display / close setting screen
▲ ▼ ◀ ▶	Item selection during each type of setting
Enter	Choose the selected item during each type of setting
Input selector	Switch between input 1 and input 2
☼	LED room lamp turns on ※ It operates only when the room switch is set to "DOOR"

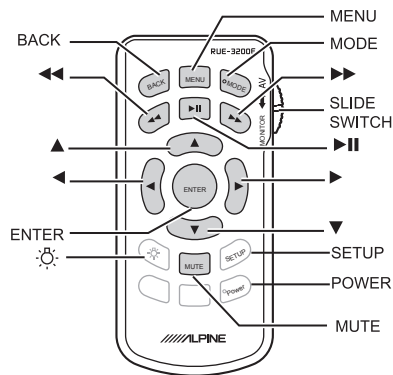
Operating by remote control

Operating AV function of Alpine Navigation System

■ Memo

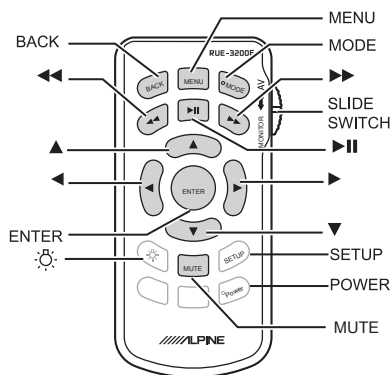
- For supported Alpine Navigation model, please contact to Alpine dealer.
- When operating the AV function of Alpine Navigation System, please shift the slide switch of remote control to "AV".

■ DVD, iPod, CD/MP3/WMA/AAC, HDD/SD Audio, Radio operation



Slide switch	Shift monitor/AV (Shifts to AV side)
Mode	Shifting the AV mode of the Alpine Navigation System
Menu	Access DVD disc menu ※
Back	Return to Top Menu during DVD chapter selection (You cannot use this in a part of discs)
◀◀	Previous chapter/Cue track Hold: Rewind
▶▶	Pause/playback shifting Radio: Band shifting ※ Auto memory by hold ※
▶▶	Following chapter/Cue track Hold: Fast forward
Enter	Choose the selected item such as DVD chapter, etc.
▲▼◀▶	Select DVD chapter, etc. ※
Mute	AV mode mute of the Alpine Navigation System

■ Digital terrestrial television broadcasting



Slide switch	Shift monitor/AV (Shifts to AV side)
Mode	Shifting the AV mode of the Alpine Navigation System
◀◀	Channel selection (down)
▶▶	Channel selection (up)
▶▶	Switching between Home mode/Outing mode ※
Mute	Mute

Installation and Connections

Installation and Connections

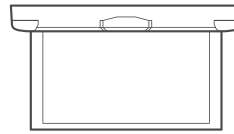
Getting started

Before installing or connecting, please read page 2 to 3 thoroughly and do the correct work. We are not responsible for malfunctions caused by not being careful with the instructions of the instruction manual. Please be careful with the following and proceed with the installation.

- Work takes time. Please work with plenty of time in a bright place.
- Installation depends on vehicle type/grade/year. Please obtain information on installation from your dealer.
- If you remove the minus pin of the battery, the memory of the vehicle may disappear. Please check the vehicle information and install it.
- In some models (such as foreign cars), problems may occur in the electrical system if you remove the minus terminal of the battery. For further details, please contact your dealer.
- Please check that the length of the included cord is sufficient for the installation position of the monitor, and then install it.
- Please check the label attached to the cord and this manual, and install carefully.
- Check the instruction manual of the product to be combined and install it.
- If you have any questions, please contact our store information center.

Accessories

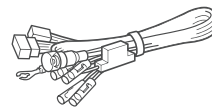
LCD monitor main unit



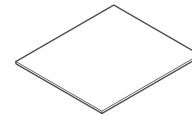
Remote control



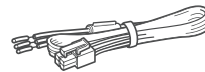
Monitor cable (5 m)



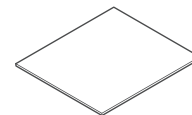
Cushion
(For monitor cable joint part)



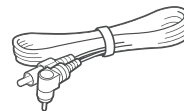
Room lamp cord (3 m)



Cushion
(Room lamp cord for joint part)



(PIN connection cord
(for video) (1 m)



Battery: CR2025
(for remote control)



Rubber cap



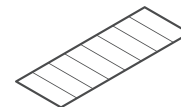
Screw: with washer (M4 x 16)



Silicon spacer



Double-sided tape



Instruction manual





Installation and Connections

Installation using mounting bracket (optional)

CAUTION For installation, expertise and experience are necessary.

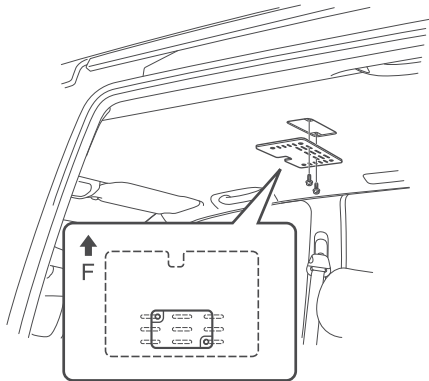
CAUTION The use of an electric screwdriver is prohibited.

- Adjust power with electric screwdriver is difficult, and in addition to damaging the screw holes it may also cause damage to the vehicle.

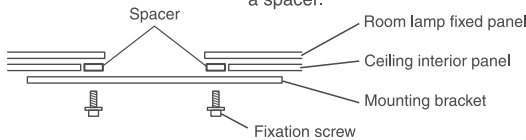
Fixation of the mounting bracket (optional)

When removing the room lamp and fixing it, use a fixation screw hole used for vehicle room lamp and fix the mounting bracket with it.

※ Please use speed nut separately for a vehicle with room lamp fixed by clamp.



CAUTION ※ When fixing the mounting bracket, there is a case where fastening screws can not be tightened if there is a gap between the panel that fixes the room lamp and the ceiling interior panel. If there is a gap, tighten the screw tightly with a spacer.



CAUTION Tighten the screw tightly for the fixation.

- If the tightening is insufficient, the monitor may fall off.

Be careful with the size of the screw used for fixation.

- Using a screw smaller than the size of the used screw holes may cause the monitor to fall off.

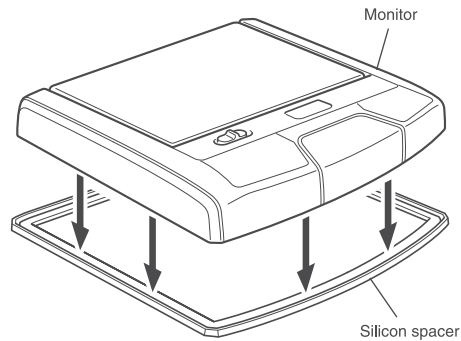
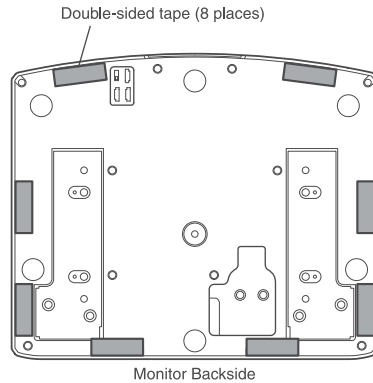
CAUTION Be careful with the length of the screw used for fixation.

- Using a screw with a length greater than the distance between the used screw hole and the ceiling outer panel may cause damage to the vehicle.

Attachment of silicon spacer

Please refer to installation manual of our rear vision mounting kit when installing.

Attach 8 double-sided adhesive tape to the end of the back side of the monitor and attach the silicon spacer.



CAUTION Please work with soft clothes to not scratch the monitor.

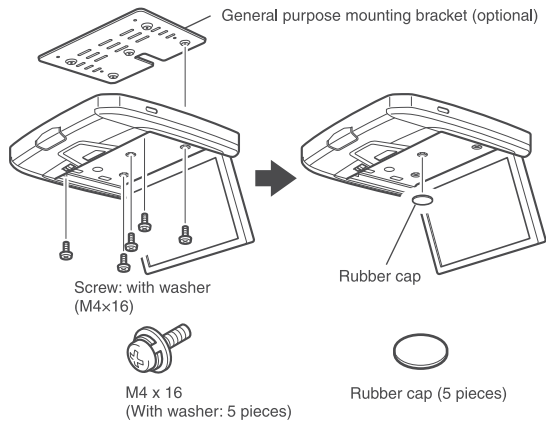


Installation and Connections

Installation of the monitor

Use the supplied screw M4 × 16 (with washer: 5 pieces) to attach the monitor to the mounting bracket. For the use position of the screw, please refer to the following: After installation, cover the screw hole with rubber cap (5 pieces).

※ When installing, be careful of the wiring position.



WARNING

For the fixation, use the screws supplied with the mounting bracket and tighten all the screws equally and tightly.

If the tightening of the screw is insufficient, it may cause the monitor to fall off.

- However, tighten the screw too much may cause damage to the monitor. Be careful.



CAUTION

The use of an electric screwdriver is prohibited.

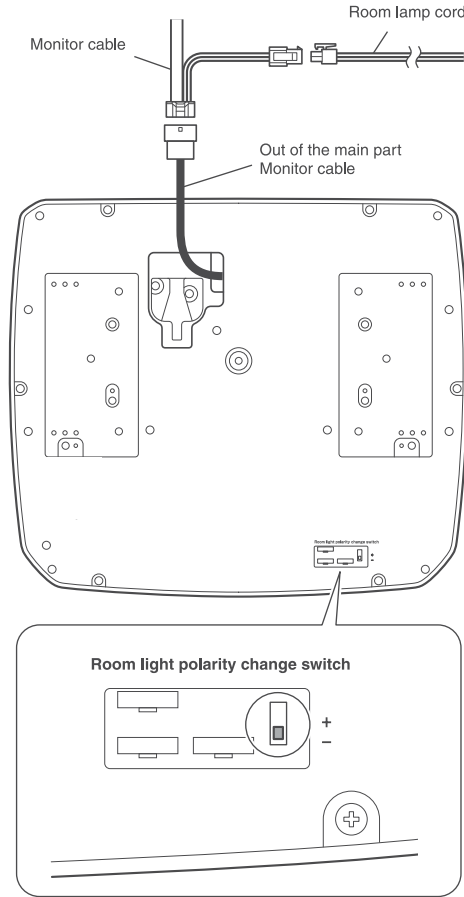
- Adjust power with electric screwdriver is difficult, and in addition to damaging the screw holes it may also cause damage to the vehicle.



Installation and Connections

Installation of the room lamp

Connect the built-in room lamp to the cable from the car room lamp switch.

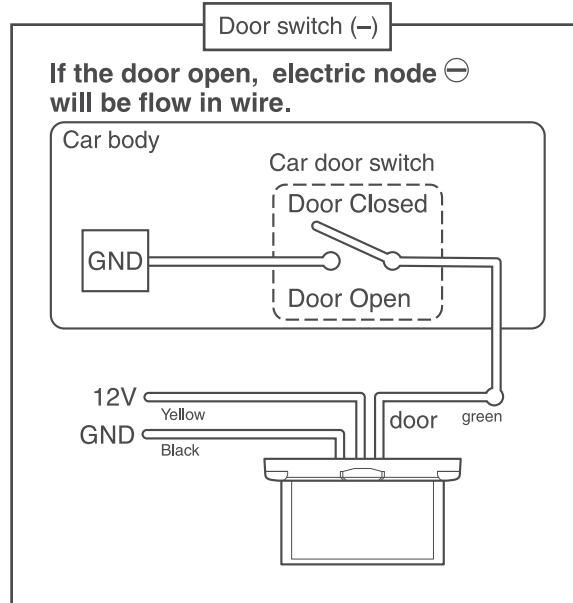
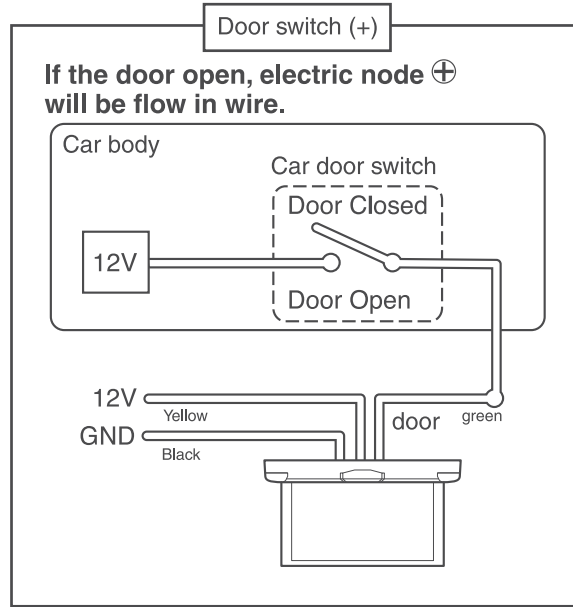


The polarity change switch is installed on the upper surface of the head liner.

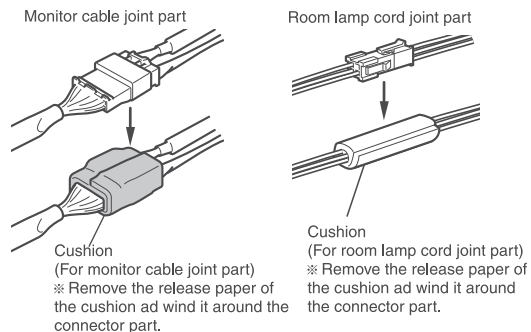
The polarity of the vehicle door part depends on the type of the vehicle. The polarity Can change by switching the "door switch polarity" switch. (Initial setting: - Switch system)

Polarity + : When the door is open (green wire), the door signal is 12V.

Polarity - : When the door is open (green wire), the door signal is GND.



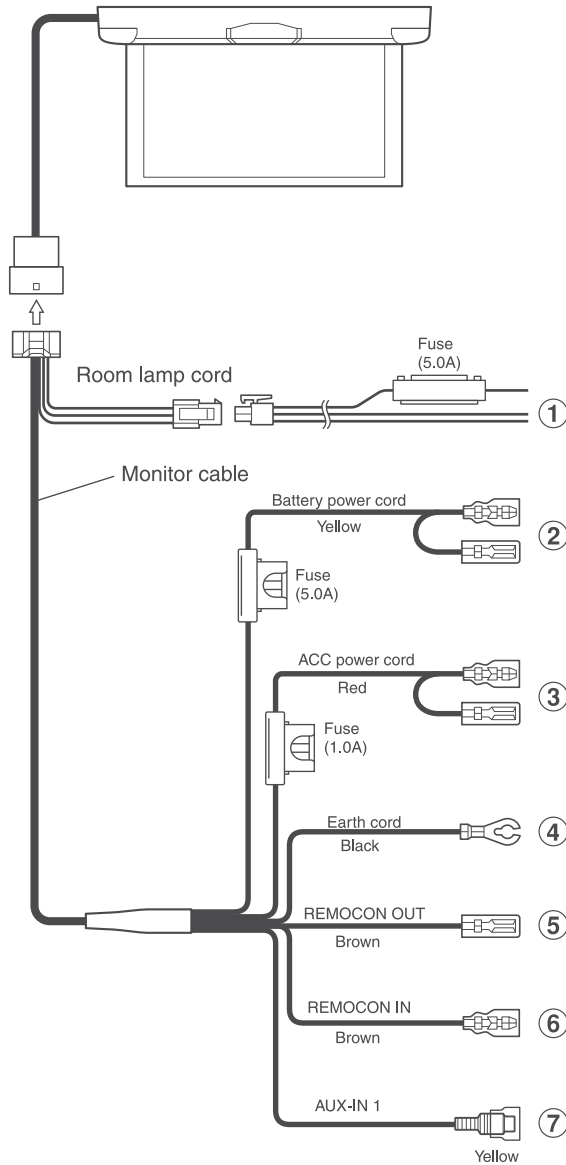
CAUTION ※ In order to prevent noise caused by vibrations during running, Please wind the cushion attached to the connector part.





Installation and Connections

Basic connection diagram

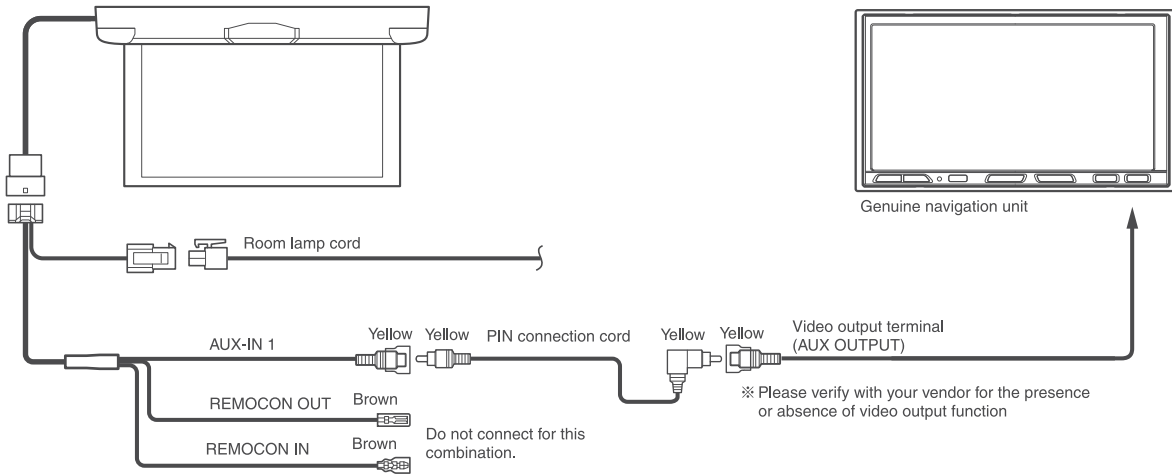


- ① **Room lamp cord**
Connection to the room lamp switch of the vehicle.
(For further details, refer to page 19 "Connecting the room lamp")
- ② **Battery power cord (yellow)**
Connect to the cord in which the battery power (12V) is supplied.
- ③ **ACC power cord (red)**
Connect to the cord in which the accessory power (12V) is supplied.
- ④ **Earth cord (black), securely connect with the metal part of the car body.**
If not enough connected, it may cause noise or malfunction.
- ⑤ **REMOTE CONTROL OUT (brown)**
Connect to the combined Alpine product remote control input cord.
- ⑥ **REMOTE CONTROL IN (brown)**
Connect to the combined Alpine product remote control output cord.
- ⑦ **AUX-IN 1 (yellow)**
Terminal for inputting the DVD player/TV tuner video signal.



Example of System Up

Connect to Genuine navigation unit



Installation and Connections

■ Memo

- Depending on the video output specification of the navigation to be combined, it is possible that the image may not be displayed correctly, the display can temporarily becomes distorted or can look splitted when a source change occurs or by turning the power ON/OFF.
- Please refer to the installation instructions "Connecting the room lamp wire" (page 19) and the Perfect Fit for car models (optional) for the room lamp wire connection.
- Please refer to "Basic connection diagram" (page 20) for the connection method of the power supply system.

Others

If you think that there is a malfunction?

Are you sure you haven't mistaken misoperations and misunderstandings as malfunctions?



Have connection and wiring been performed correctly?



Please check the table below again.



If you still cannot fix it, please consult your vendor or the nearest inquiry counter (page 28).

When the operation stops to work correctly, if it remains stopped during operation or if the screen gets dark, turns the power supply OFF → ON once. If it still does not work properly, please refer to the following procedure.

Cannot turn on the battery.

- The engine is not engaged or the key position is not ACC.
 - Engage the engine or put the key position to ACC.
- The fuse is not inserted or is disconnected.
 - Insert the fuse or change the fuse after checking the cause.
- Connection is incomplete.
 - Check the connection.
- Battery goes flat.
 - Check the battery.

Image does not appear or is unclear

(If the battery falls below 11 volts under load state, it may result in a malfunction.)

- The brightness control is set to the minimum value.
 - Please adjust the brightness.
- The mode setting is incorrect.
 - Please switch to a correct mode.
 - Please check the connection to the source unit.
 - Please check the source unit power supply.
- The protection circuit is hot.
 - Please wait until the temperature inside the interior of the vehicle drops to ambient temperature.

Image colors are weak

- Brightness, color depth, color tone, contrast, and sharpness controls are not set in the correct position.
 - Please adjust each control.

Image movement is bad

- Temperature in the interior of the vehicle is low.
 - Please adjust the temperature in the interior of the vehicle to the ambient temperature.

Striped shape and spots appear in the image

- The cause may be an influence from neon sign, high voltage line, amateur radio, car etc.
 - Please move the car to a place that does not receive radio interferences.

The supplied wireless remote control does not work

- There is an obstruction between the remote control and the remote control reception part of the main unit.
 - Please remove the obstruction.
- The ⊕ and ⊖ poles of the remote control battery are not correctly put.
 - Please put correctly the ⊕ and ⊖ poles.
- Lifetime of the battery.
 - Please replace with a new battery.

The OPEN button is hard to press

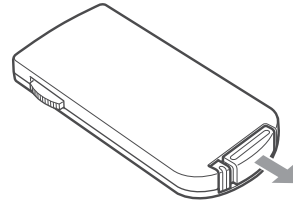
- It is possible that a wiring may be caught in the moving part on the monitor's back.
 - Please check whether the wiring is caught in the moving part on the monitor's back.

Remote control's battery replacement

Battery type: CR2025 battery or same product

1 Open the battery case.

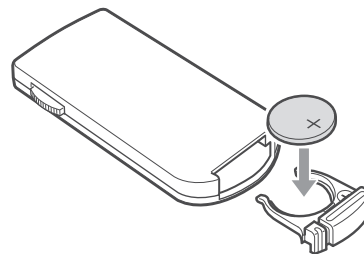
Slide the battery cover in the arrow direction.



2 Replace the battery.

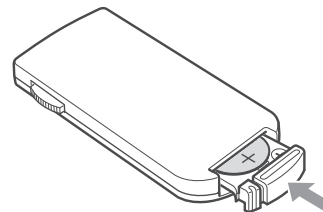
Put the battery in the case, facing the (+) mark, as shown in the figure.

- Putting the battery in the wrong side may cause malfunction.



3 Close the cover.

Slide the cover until it clicks, as shown in the figure.



CAUTION

During driving, please keep in mind safe driving and refrain operation that deviate attention.

- If it takes a long time to operate this device, be sure to completely stop the vehicle before operating. In order to not to cause an accident or injury, always stop in a safe place when doing this kind of operation.

Standard

● Monitor Part

Screen size	: 10.1 type wide (Length 125.3mm x width 222.7mm x diagonal 255.5mm)
Image quality	: WSVGA
Resolution	: 1,024 x 600
Pixel number	: 1,843,200
Valid pixels	: More than 99.9%
Illumination system	: LED

● General

Power source used	: DC14.4V (operating range: 11 - 16V)
Earth system	: Earth
Operating temperature range	: -20°C~ +60°C
Width	: 300.3 mm
Height (when opened)	: 37.5mm (173.5mm*) ※ When turning down the monitor to 90 degrees
Monitor part opening/ closing angle	: 175°
Depth	: 250.4 mm

■ Memo

- The liquid crystal panel is made with highly accurate technology and has a valid pixel number of more than 99.99%, but please note that there may be 0.01% missing or permanent lit pixels.

<External dimension>

