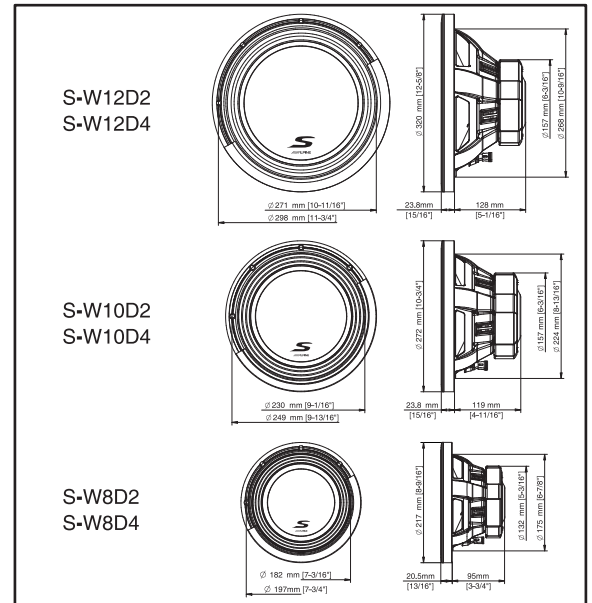


SPECIFICATIONS

General Specifications		
Sealed	Taille	
Frequency Response	Response en Fréquence	
Power Range	Plage de Puissance	
Power Handling	Puissance Admissible	
Magnet Weight	Poids de l'aimant	
Voice Coil Diameter	Diamètre de la bobine	
Thie-Small Parameters		
Sensitivity (1W/1m)	Sensibilité (1W/1m)	SPL
DC Resistance	Résistance CC	Re
Inductance	Inductance	Le
Free Air Resonance	Résonance à l'air libre	Fs
Equivalent Stiffness	Raiduer équivalente	Vas
Mechanical Q	Q Mécanique	Qms
Electrical Q	Q Électrique	Qes
Total Q	Q Total	Qts
Cone Area	Surface du diaphragme	Sd
Linear Excursion	Displacement Linéaire	Xmax (1-way)
Mechanical Travel	Déplacement Mécanique	Xmech (P-P)

S-Series					
S-W8D2	S-W8D4	S-W10D2	S-W10D4	S-W12D2	S-W12D4
2Ω+2Ω	4Ω+4Ω	2Ω+2Ω	4Ω+4Ω	2Ω+2Ω	4Ω+4Ω
8"		10"		12"	
150W-300W RMS		250W-600W RMS			
300W RMS (efficace) / 900W PEAK (de crête)		600W RMS (efficace) / 1800W PEAK (de crête)			
34 oz		64 oz			
35.55 mm (1.4")		65.5 mm (2.6")			
		85.0 dB	85.3 dB	86.2 dB	86.4 dB
		1.80+1.80	3.80+3.80	1.70+1.70	3.80+3.80
		3.85 mH	1.59 mH	3.79 mH	1.55 mH
		33 Hz	34 Hz	31 Hz	31 Hz
		24.3 L	24.7 L	44.6 L	46.4 L
		4.43	4.21	4.69	4.68
		0.48	0.51	0.57	0.58
		0.44	0.46	0.51	0.52
		194 cm ²	330 cm ²	472 cm ²	
		13 mm	15 mm		
		40 mm	64 mm		



		S-W8D2/D4	S-W10D2/D4	S-W12D2/D4
Sealed Box Range	Net Internal Volume		0.4-0.85 ft ³	0.55-1.0 ft ³
	External Box Dimensions		12"x12"x10.5"	14"x14"x11"
Recommended Sealed Box	Gross Internal Volume		0.58 ft ³	0.85 ft ³
	Net Internal Volume		0.53 ft ³	0.79 ft ³
	F3, Qtc		D2: 47 Hz, 0.73 D4: 48 Hz, 0.77	D2: 41 Hz, 0.88 D4: 42 Hz, 0.91
Vented Box Range	Net Internal Volume		0.75-1.3 ft ³	1.0-1.5 ft ³
	Tuning		35-39Hz	32-37Hz
Recommended Vented Box	External Box Dimensions		23"x12"x11.5"	23"x12.5"x14"
	Gross Internal Volume		1.3 ft ³	1.71 ft ³
	Vent Area (dimensions)		10in ² (10"x 1")	12.5in ² (12.5"x 1")
	Vent Length		17"	16"
	Vent Displacement		0.17 ft ³	0.20 ft ³
	Net Internal Volume (Vb)		1.08 ft ³	1.45 ft ³
	F3, ripple, Fb		D2: 29Hz, 2.9dB, 35Hz D4: 29Hz, 2.3dB, 35Hz	D2: 30Hz, 3.3dB, 34Hz D4: 30Hz, 4.1dB, 34Hz

NOTE:

For product improvement, specifications and design are subject to change without notice.