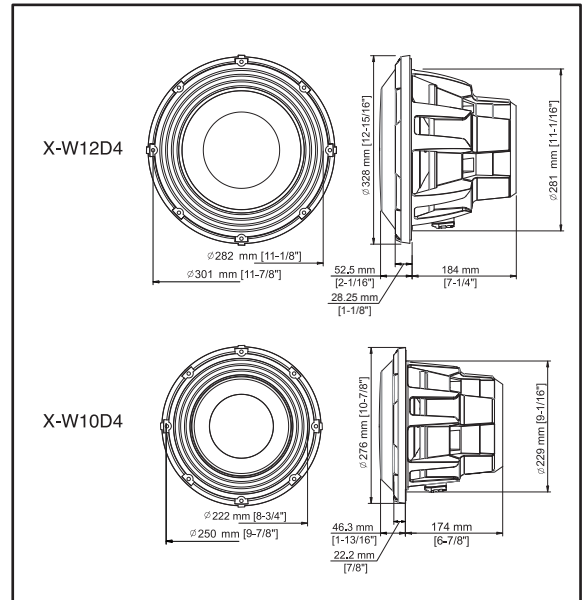


SPECIFICATIONS

General Specifications		
Size	Taille	
Frequency Response	Response en Fréquence	
Power Range	Plage de Puissance	
Power Handling	Puissance Admissible	
Magnet Weight	Poids de l'aimant	
Voice Coil Diameter	Diamètre de la bobine	
Thiele-Small Parameters		
Sensitivity (1W/1m)	Sensibilité (1W/1m)	SPL
DC Resistance	Résistance DC	R_e
Inductance	Inductance	L_e
Free Air Resonance	Résonance à l'air libre	F_s
Equivalent Stiffness	Raideur équivalente	V_{as}
Mechanical Q	Q Mécanique	Q_{ms}
Electrical Q	Q Électrique	Q_{es}
Total Q	Q Total	Q_{ts}
Cone Area	Surface du diaphragme	S_d
Linear Excursion	Déplacement Linéaire	X_{max} (1-way)
Mechanical Travel	Déplacement Mécanique	X_{mech} (P-P)

X-Series	
X-W10D4	X-W12D4
4Ω+4Ω	4Ω+4Ω
10"	12"
26Hz-200Hz	23Hz-200Hz
650W-900W RMS (efficace)	
900W RMS (efficace) / 2700W PEAK (de crête)	
174 oz (x3)	
65.5 mm (2.6")	
83.3 dB	84.3 dB
3.0Ω + 3.0Ω	3.6Ω+3.6Ω
3.92 mH	4.42 mH
31 Hz	27 Hz
23 L	56 L
4.28	5.63
0.49	0.62
0.45	0.56
305 cm ²	475 cm ²
24 mm	
82 mm	82 mm



		X-W10D4	X-W12D4
Sealed Box Range	Net Internal Volume	0.4-0.75 ft ³	0.4-1.25 ft ³
Recommended Sealed Box	External Dimensions (H x W x D)	12.5" x 12.5" x 11"	14" x 14" x 12.25"
	Gross Internal Volume	0.67 ft ³	0.97 ft ³
	Net Internal Volume	0.55 ft ³	0.85 ft ³
	F3, Qtc	42Hz, 0.75	36Hz, 0.99
Vented Box Range	Net Internal Volume	0.85-1.75 ft ³	1.0-2.0 ft ³
	Fb, Tuning	33-39 Hz	30-36 Hz
Recommended Vented Box	External Dimensions (H x W x D)	13" x 23.5" x 13"	14" x 23.5" x 14"
	Gross Internal Volume	1.68 ft ³	1.98 ft ³
	Vent Area (W x H)	15.0 in ² (3.75" x 4")	15.0 in ² (3.75" x 4")
	Vent Length	18"	18"
	Vent Displacement	0.21 ft ³	0.21 ft ³
	Net Internal Volume (Vb)	1.45 ft ³	1.65 ft ³
	F3, ripple, Fb	28Hz, 5.6dB, 35Hz	28Hz, 5.7dB, 33Hz

NOTE:

For product improvement, specifications and design are subject to change without notice.