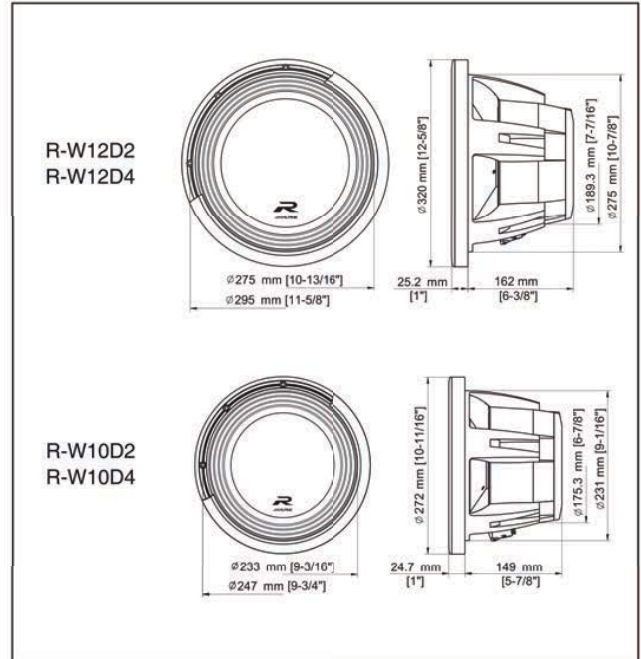


SPECIFICATIONS

		R-Series				
		R-W10D2	R-W10D4	R-W12D2	R-W12D4	
General Specifications		20+2Ω	40+4Ω	20+2Ω	40+4Ω	
Sealed	Taille	10"		12"		
Frequency Response	Response en Fréquence	26Hz-200Hz		24Hz-200Hz		
Power Range	Plage de Puissance	300W-750W RMS				
Power Handling	Puissance Admissible	750W RMS (efficace) / 2250W PEAK (de crête)				
Magnet Weight	Poids de l'aimant	111 oz		127 oz		
Voice Coil Diameter	Diamètre de la bobine	65.5 mm (2.6")				
Thie-Small Parameters						
Sensitivity (1W/1m)	Sensibilité (1W/1m)	SPL	82.4 dB	82.4 dB	84.3 dB	84.7 dB
DC Resistance	Résistance CC	Re	1.9Ω±1.9Ω	3.6Ω±3.6Ω	1.9Ω±1.9Ω	3.6Ω±3.6Ω
Inductance	Inductance	Le	2.72 mH	4.46 mH	3.00 mH	4.46 mH
Free Air Resonance	Résonance à l'air libre	Fs	30 Hz	31 Hz	27 Hz	28 Hz
Equivalent Stiffness	Raiduer équivalente	Vas	21 L	20 L	51 L	48 L
Mechanical Q	Q Mécanique	Qms	8.03	7.71	7.56	7.15
Electrical Q	Q Électrique	Qes	0.50	0.59	0.53	0.61
Total Q	Q Total	Qts	0.47	0.55	0.49	0.56
Cone Area	Surface du diaphragme	Sd	333 cm ²		479 cm ²	
Linear Excursion	Displacement Linéaire	Xmax (1-way)	20 mm			
Mechanical Travel	Déplacement Mécanique	Xmech (P-P)	70 mm		72 mm	



		R-W10D2/D4	R-W12D2/D4
Sealed Box Range	Net Internal Volume	0.4-0.85 ft ³	0.55-1.0 ft ³
Recommended Sealed Box	External Box Dimensions	12"x12"x10.5"	14"x14"x11"
	Gross Internal Volume	0.58 ft ³	0.85 ft ³
	Net Internal Volume	0.50 ft ³	0.75 ft ³
	F3, Qtc	D2: 44 Hz, 0.71 D4: 38 Hz, 0.89	D2: 40 Hz, 0.82 D4: 37 Hz, 1.00
Vented Box Range	Net Internal Volume	0.75-1.3 ft ³	1.0-1.5 ft ³
	Tuning	35-39Hz	32-37Hz
Recommended Vented Box	External Box Dimensions	23"x12"x11.5"	23"x12.5"x14"
	Gross Internal Volume	1.3 ft ³	1.71 ft ³
	Vent Area (dimensions)	10in ² (10"x 1")	12.5in ² (12.5"x 1")
	Vent Length	17"	16"
	Vent Displacement	0.2 ft ³	0.23 ft ³
	Net Internal Volume (Vb)	1.0 ft ³	1.38 ft ³
	F3, ripple, Fb		D2: 29 Hz, 4.8dB, 36Hz D4: 28 Hz, 6.1dB, 36Hz

NOTE:

For product improvement, specifications and design are subject to change without notice.